

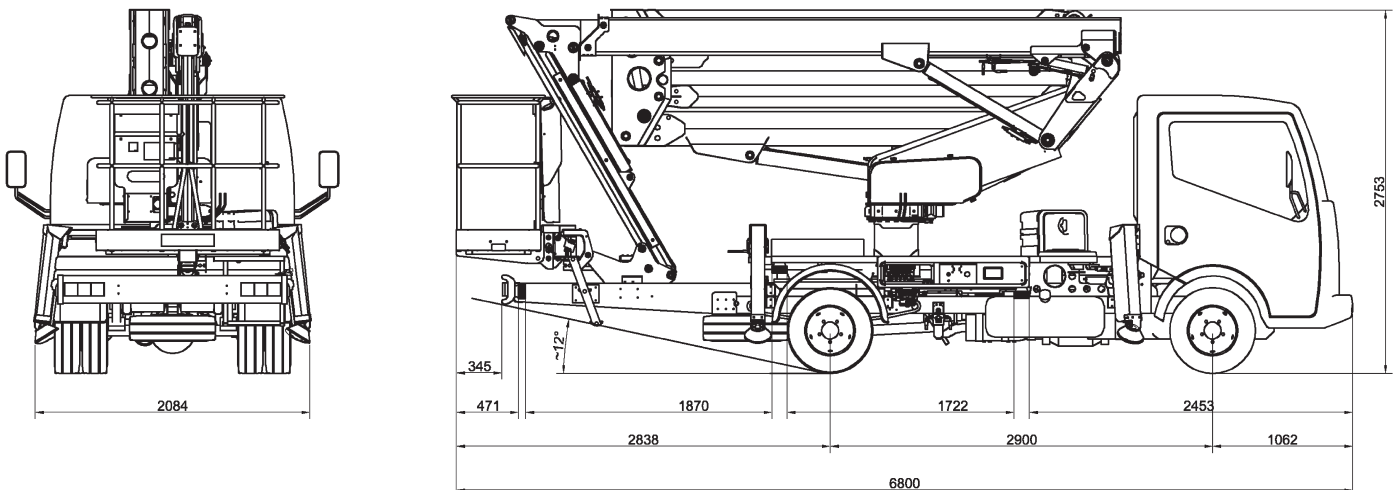
SPECIFICATION (PRELIMINARY)

CTEZED 21.3 JHV

TECHNICAL DATA

- Double pantograph + telescopic boom with single extension + jib
- Sigma boom movement enabled by connecting rods
- $\pm 320^\circ$ turret rotation
- Smooth proportional simultaneous controls with acceleration and deceleration ramps
- Engine start and stop controls from basket and ground
- Automatic engine rpm management
- Anti-slip aluminium deck
- Basket in aluminium 1400x700x1100 mm
- $90^\circ + 90^\circ$ hydraulic basket rotation
- Automatic hydraulically actioned basket levelling
- 4 hydraulic outriggers with ground pressure sensors: front variable jacking outriggers and rear straight down stabilizers
- Variable stabilisation managed by **S³ Smart Stability System**
- **CAN BUS** electronic management system
- Grounded control station with wired console
- Load cell
- Diagnostic display on board
- Basket control station equipped with working envelope related info
- Hydraulic system operated by vehicle's PTO
- Buzzer indicating PTO engaged
- Hour meter
- 230 V AC in the basket
- EN 280:2015 CE certified
- Standard boom colours blue (RAL 5017) and white (RAL 9003)

DIMENSIONS



CTE S.p.A.
Headquarter

7 Via Caproni - Rovereto (TN) IT, 38068
Ph. +39 0464 48.50.50 - Fax +39 0464 48.50.99
info@ctelift.com - www.ctelift.com

Factory 5 Loc. Terramatta - Rivoli Veronese (VR) IT, 37010

CTE UK Ltd Enderby Leicestershire - UK

SPECIFICATION (PRELIMINARY)

CTEZED 21.3 JHV



21 m*



10 m*



300 kg



19 m

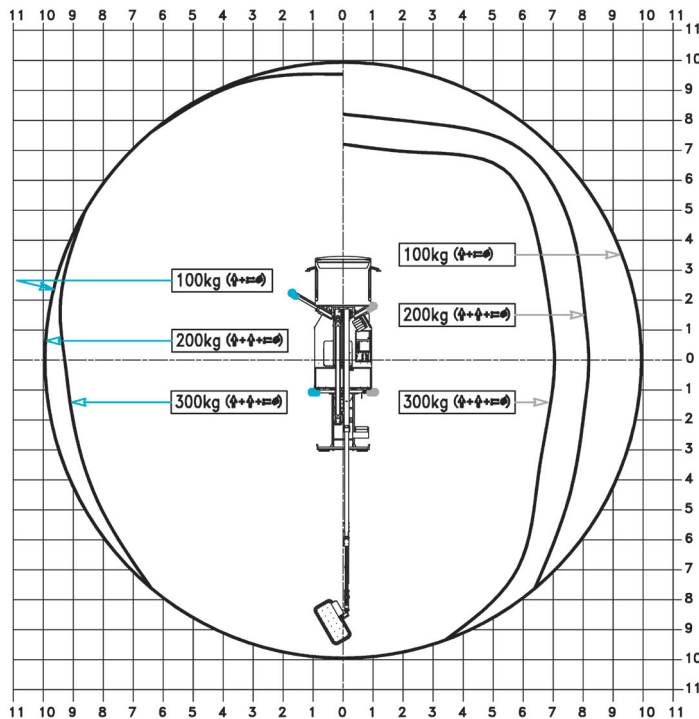


1400x700x1100 mm

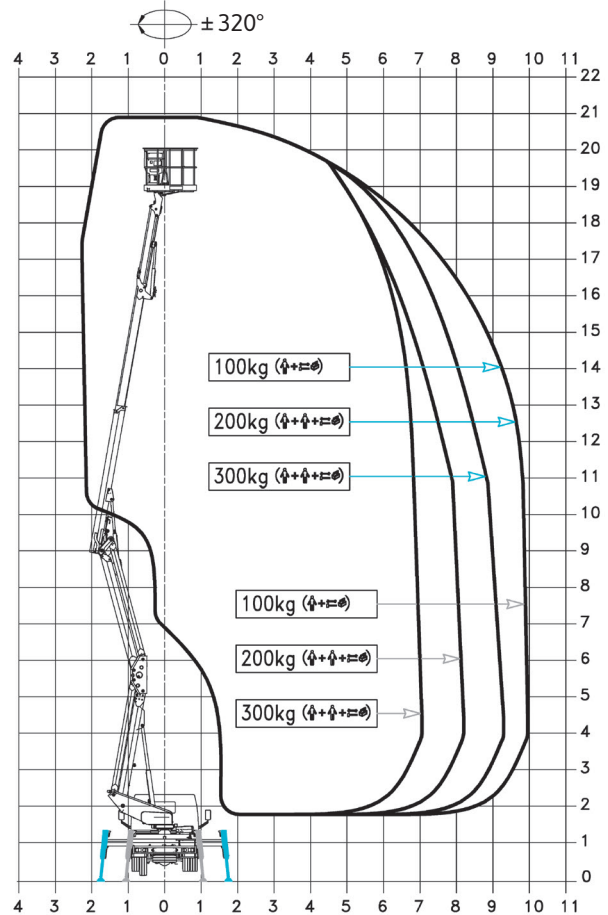
GVW min

3,5 t

OUTRIGGER FOOTPRINT



WORKING ENVELOPE



* outreach and height max values and repeatability can change within $\pm 3\%$ due to manufacturing variation and working condition.