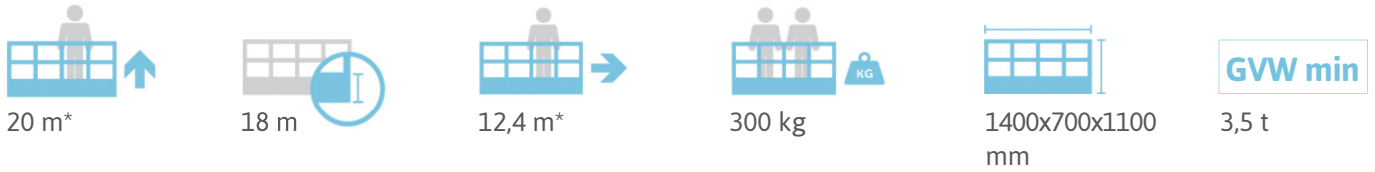
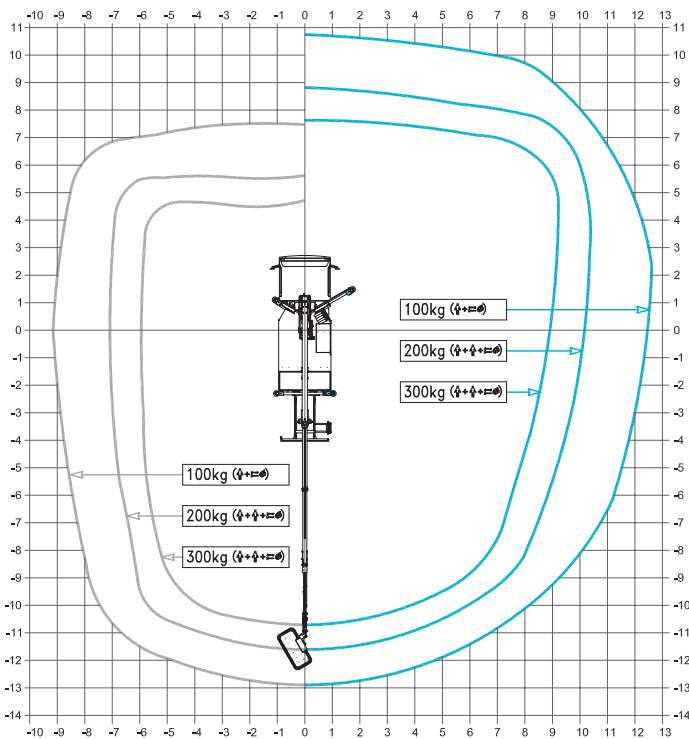


SPECIFICATION

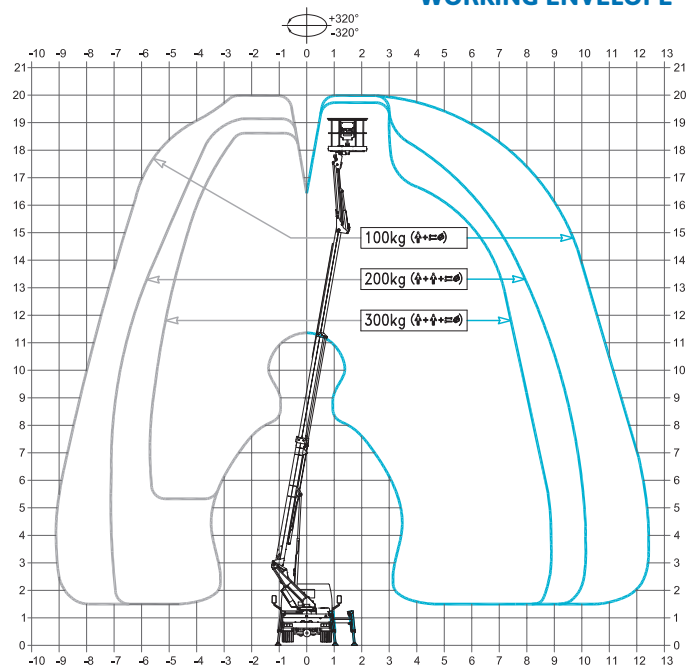
CTEB-LIFT 20 J NISSAN NT 400 35.13



OUTRIGGER FOOTPRINT

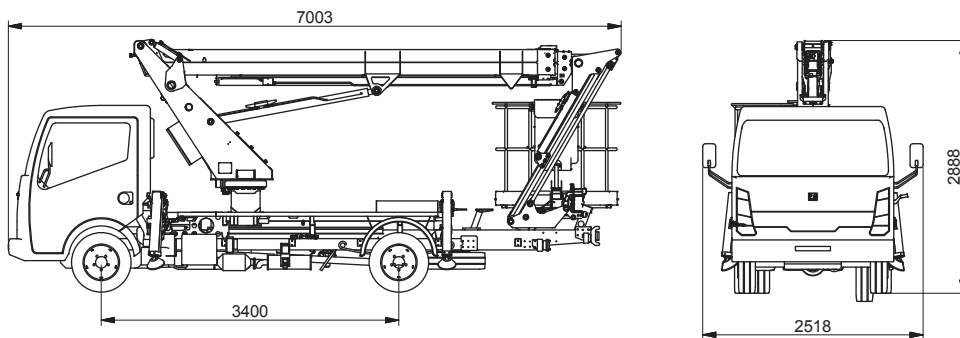


WORKING ENVELOPE



* outreach and height max values and repeatability can change within ± 3% due to manufacturing variation and working condition.

DIMENSIONS



CTE S.p.A.
Headquarter 7 Via Caproni - Rovereto (TN) IT, 38068
Ph. +39 0464 48.50.50 - **Fax** +39 0464 48.50.99
info@ctelift.com - www.ctelift.com
Factory 5 Loc. Terramatta - Rivoli Veronese (VR) IT, 37010
CTE UK Ltd Enderby Leicestershire - UK

Product specifications are subject to change without notice or obligation. Technical features and drawings in this brochure are for illustrative purposes only. _B-UFT 20 (Nissan) - ed. 09/18

