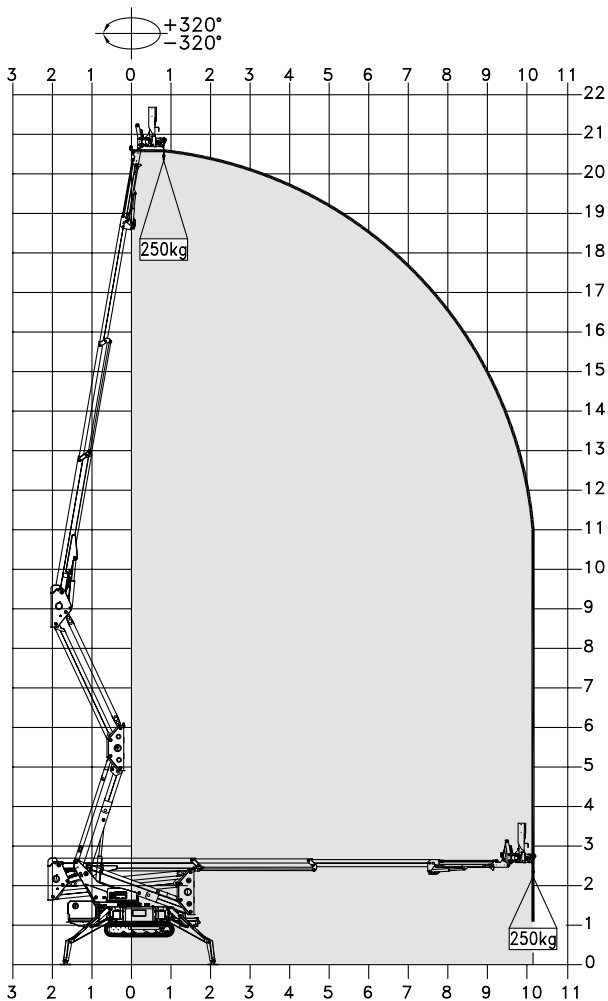


# SPECIFICATION

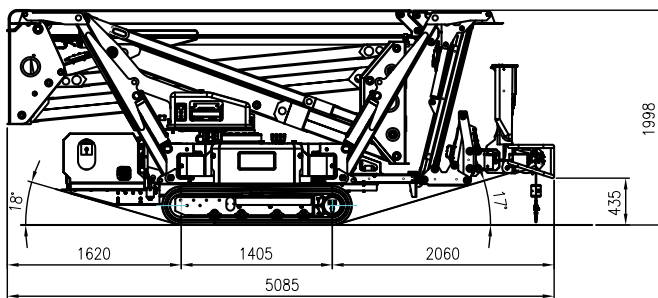
# TRACCESS 230

## WINCH VERSION

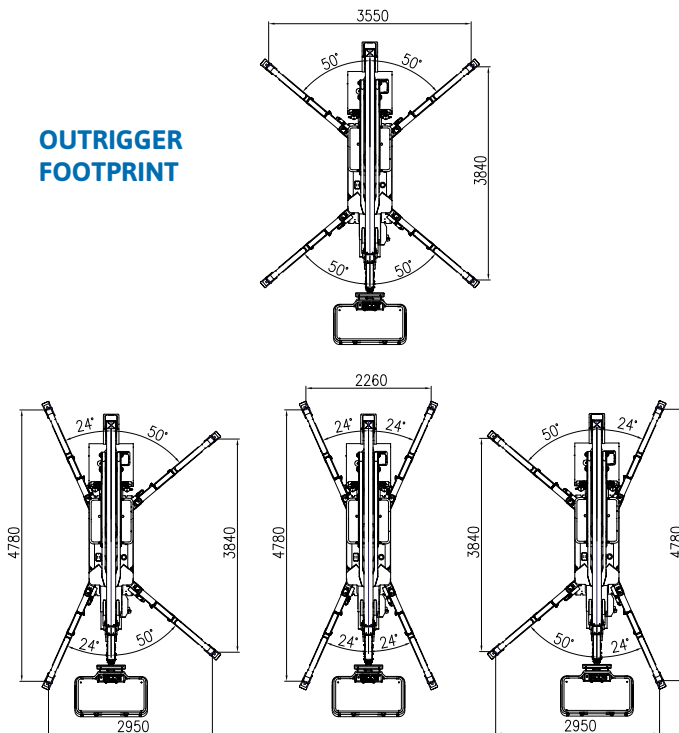
### WORKING ENVELOPE



### DIMENSIONS



### OUTRIGGER FOOTPRINT



20,5 m\*



10 m\*



250 kg



2900 kg

\* outreach and height max values and repeatability can change within  $\pm 3\%$  due to manufacturing variation and working condition.

Product specifications are subject to change without notice or obligation. Technical features and drawings in this brochure are for illustrative purposes only. \_ TRACCESS 230 winch - ed. 04/16



**CTE S.p.A.**  
**Headquarter and Factory**  
 7 Via Caproni - Rovereto (TN) IT, 38068  
**Ph. +39 0464 48.50.50 - Fax +39 0464 48.50.99**  
**info@ctelift.com - www.ctelift.com**  
**Factory 5 Loc. Terramatta - Rivoli Veronese (VR) IT, 37010**  
**CTE UK Ltd Enderby Leicestershire - UK**

