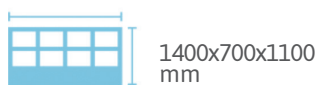
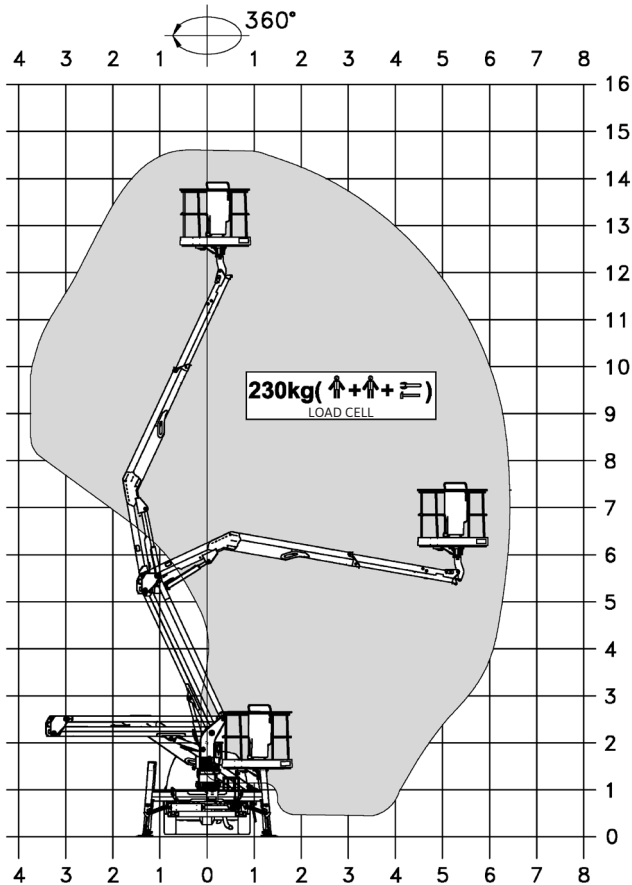


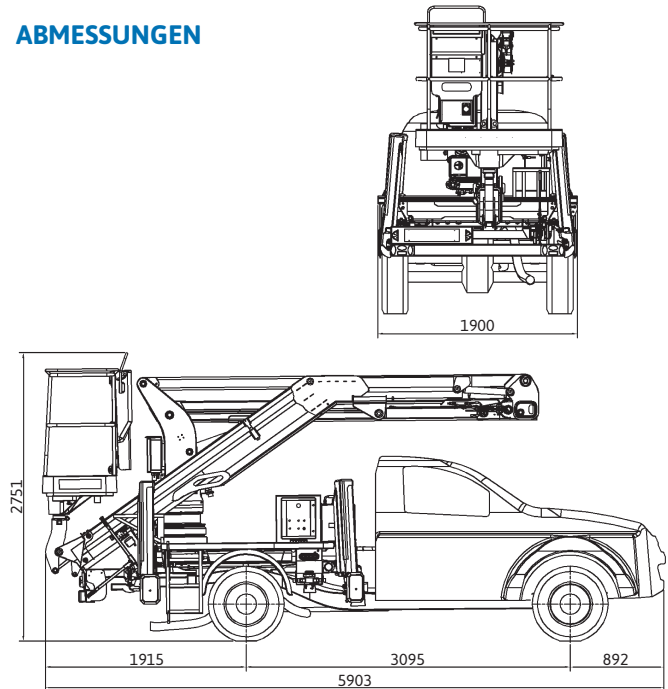
SPECIFICATION

ZED 15.2 on ISUZU D-MAX PICK-UP

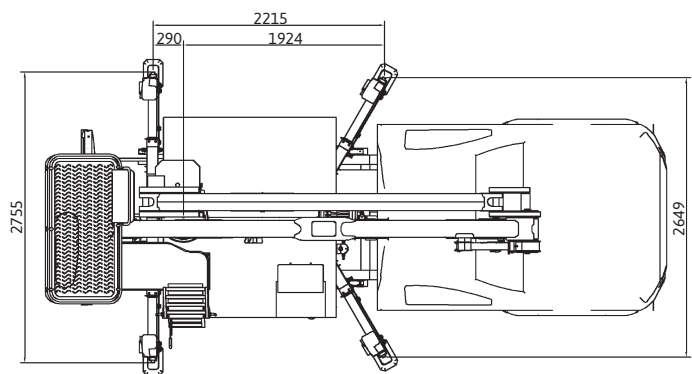
ARBEITSBEREICH



ABMESSUNGEN



ABSTÜTZDIMENSIONEN



* outreach and height max values and repeatability can change within $\pm 3\%$ due to manufacturing variation and working condition.

Product specifications are subject to change without notice or obligation. Technical features and drawings in this brochure are for illustrative purposes only. ZED 15.2 - ed. 03/17



CTE S.p.A.
Headquarter
 7 Via Caproni - Rovereto (TN) IT, 38068
 Ph. +39 0464 48.50.50 - Fax +39 0464 48.50.99
 info@ctelift.com - www.ctelift.com
Factory 5 Loc. Terramatta - Rivoli Veronese (VR) IT, 37010
CTE UK Ltd Enderby Leicestershire - UK

Exklusivvertretung für D + A

France Elévateur Deutschland GmbH
 Pansastraße 38
 04179 Leipzig (Germany)
+49 341 30 88 95 0
info@france-eleveur.de
www.france-eleveur.de

