

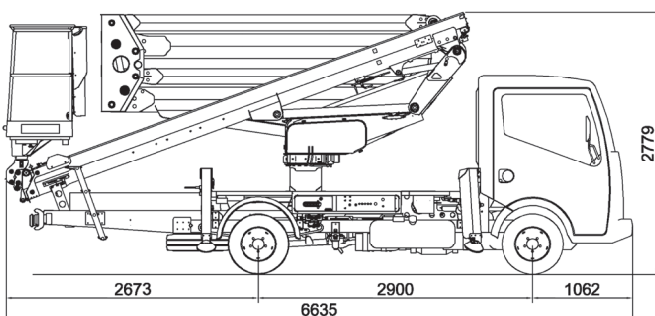
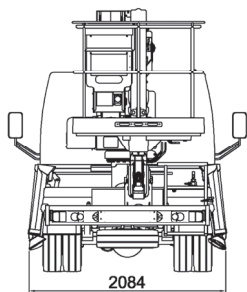
SPECIFICATION (PRELIMINARY)

CTEZED 20.3 HV

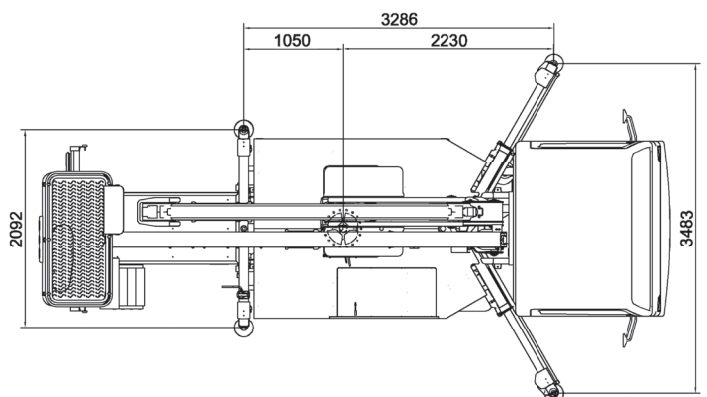
TECHNICAL DATA

- Double pantograph + telescopic boom with single extension
- Sigma boom movement enabled by connecting rods
- $\pm 320^\circ$ turret rotation
- Proportional, simultaneous electrohydraulic controls in basket and ground
- Smooth proportional controls with acceleration and deceleration ramps
- Engine start and stop controls from basket and ground
- Automatic engine rpm management
- Anti-slip aluminium deck
- Basket base in composite material basket with aluminium guardrails
- $60^\circ + 60^\circ$ hydraulic basket rotation
- Automatic hydraulically actioned basket levelling
- 4 hydraulic outriggers with ground pressure sensors: front variable jacking outriggers and rear straight down stabilizers
- Variable working area with **H Stab System**
- Home fonction
- **CAN BUS** electronic management system
- Grounded control station with wired console
- Load cell
- Diagnostic display on board
- Basket control station equipped by display to check current status of the machine
- Hydraulic system operated by vehicle's PTO
- Buzzer indicating PTO engaged
- Hour meter
- 230 V AC in the basket
- EN 280:2015 CE certified
- Standard boom colours blue (RAL 5017) and white (RAL 9003)

DIMENSIONS



OUTRIGGER FOOTPRINT



SPECIFICATION (PRELIMINARY)

CTEZED 20.3 HV



20 m*



8,5 / 6,5 m*



300 kg



18 m

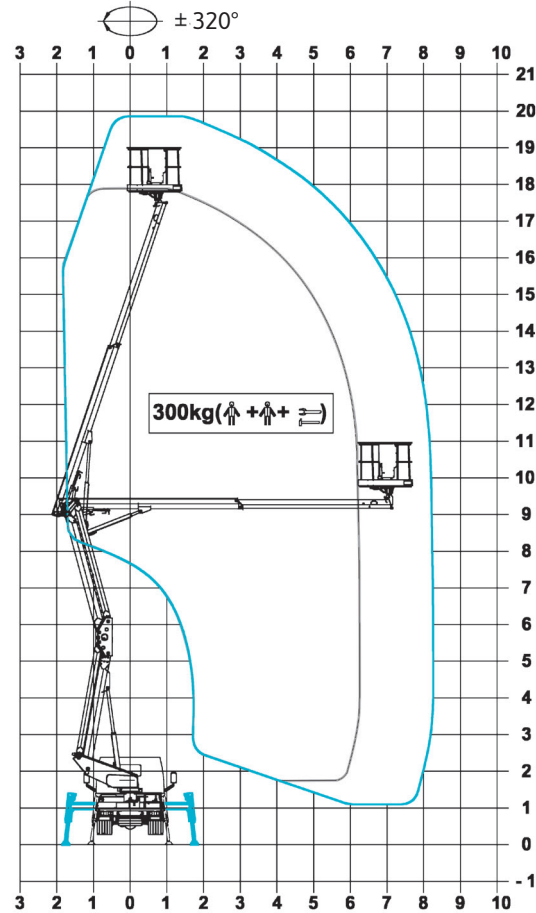


1400x700x1100 mm

GVW min

3,5 t

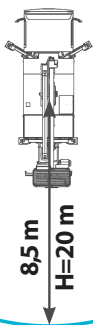
WORKING ENVELOPE



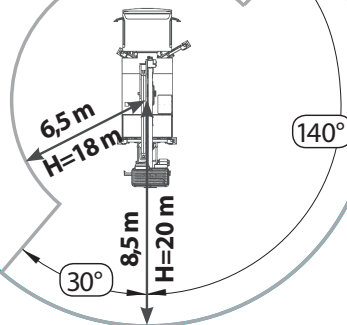
* outreach and height max values and repeatability can change within $\pm 3\%$ due to manufacturing variation and working condition.

WORKING ENVELOPE

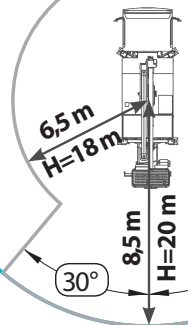
Fully extended jacking



Left or right jacking



Narrow jacking



CTE S.p.A.
Headquarter
 7 Via Caproni - Rovereto (TN) IT, 38068
 Ph. +39 0464 48.50.50 - Fax +39 0464 48.50.99
 info@ctelift.com - www.ctelift.com
Factory 5 Loc. Terramatta - Rivoli Veronese (VR) IT, 37010
CTE UK Ltd Enderby Leicestershire - UK

Product specifications are subject to change without notice or obligation. Technical features and drawings in this brochure are for illustrative purposes only. _ZED 20.3 HV - ed. 06/17

