

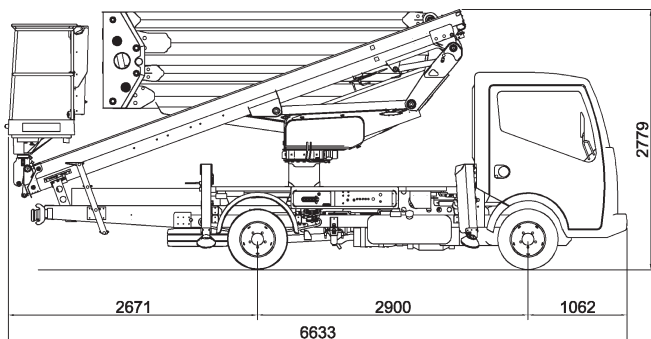
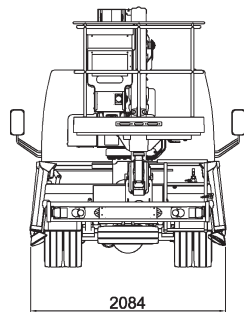
# SPECIFICATION (PRELIMINARY)

# CTEZED 20.3 H

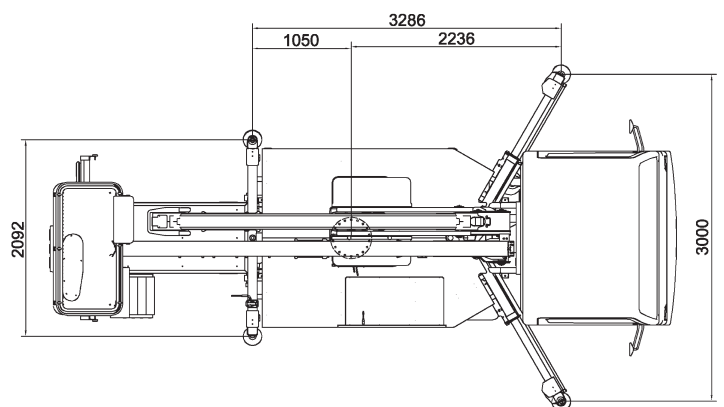
## TECHNICAL DATA

- Double pantograph + telescopic boom with single extension
- Sigma boom movement enabled by connecting rods
- $\pm 310^\circ$  Turret rotation
- Proportional, electrohydraulic controls in basket and ground
- Smooth proportional controls with acceleration and deceleration ramps
- Engine start and stop controls from basket and ground
- Anti-slip aluminium flatbed decking
- Basket base in composite material with aluminium guardrails
- $60^\circ + 60^\circ$  hydraulic basket rotation
- Automatic hydraulically actuated basket levelling
- 4 hydraulic outriggers with ground pressure sensors: front extendable jacking outriggers and rear straight down stabilizers
- CAN BUS electronic management system
- Hydraulic system operated by vehicle's PTO
- Buzzer indicating PTO engaged
- Hour meter
- 230 V AC in the basket
- Standard boom colours blue (RAL 5017) and white (RAL 9003)
- EN 280:2015 CE certified

## DIMENSIONS








## OUTRIGGER FOOTPRINT



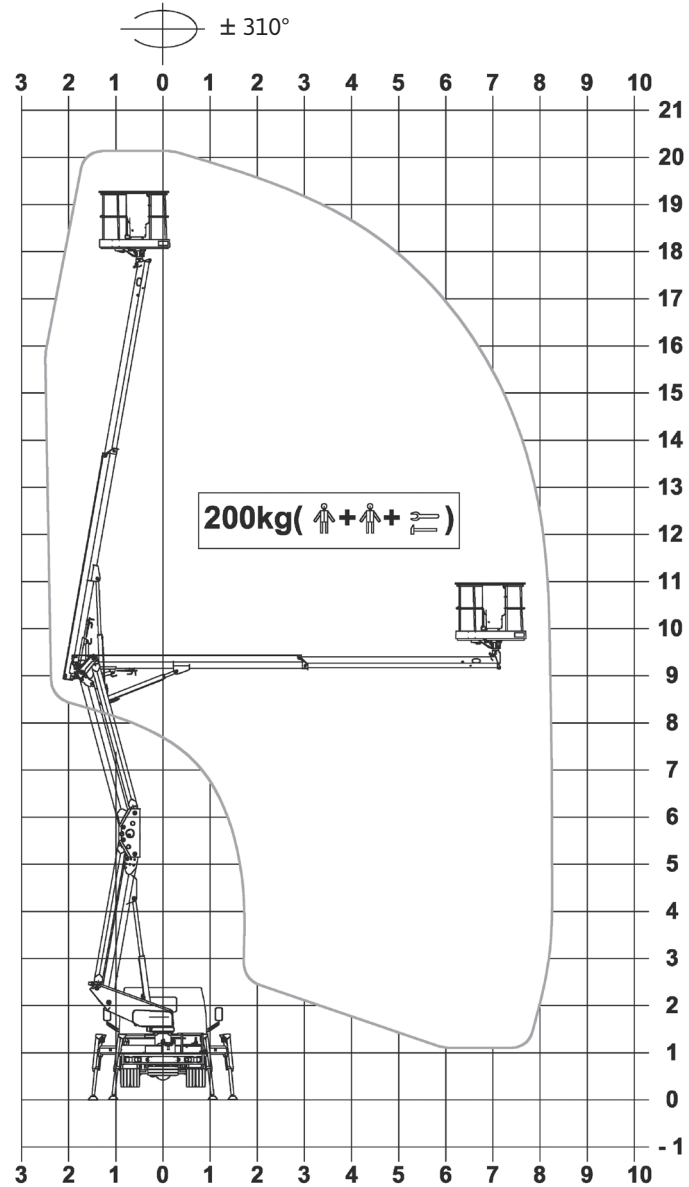
# SPECIFICATION (PRELIMINARY)

# CTEZED 20.3 H

## WORKING ENVELOPE

-  20 m\*
-  200 kg
-  1400x700x1100 mm
-  8,5 m\*
-  18 m
- GVW min** 3,5 t

\* outreach and height max values and repeatability can change within  $\pm 3\%$  due to manufacturing variation and working condition.



Product specifications are subject to change without notice or obligation. Technical features and drawings in this brochure are for illustrative purposes only. \_ZED 20.3 H - ed. 04/17



**CTE S.p.A.**  
**Headquarter**  
 7 Via Caproni - Rovereto (TN) IT, 38068  
**Ph.** +39 0464 48.50.50 - **Fax** +39 0464 48.50.99  
 info@ctelift.com - [www.ctelift.com](http://www.ctelift.com)  
**Factory** 5 Loc. Terramatta - Rivoli Veronese (VR) IT, 37010  
**CTE UK Ltd** Enderby Leicestershire - UK

